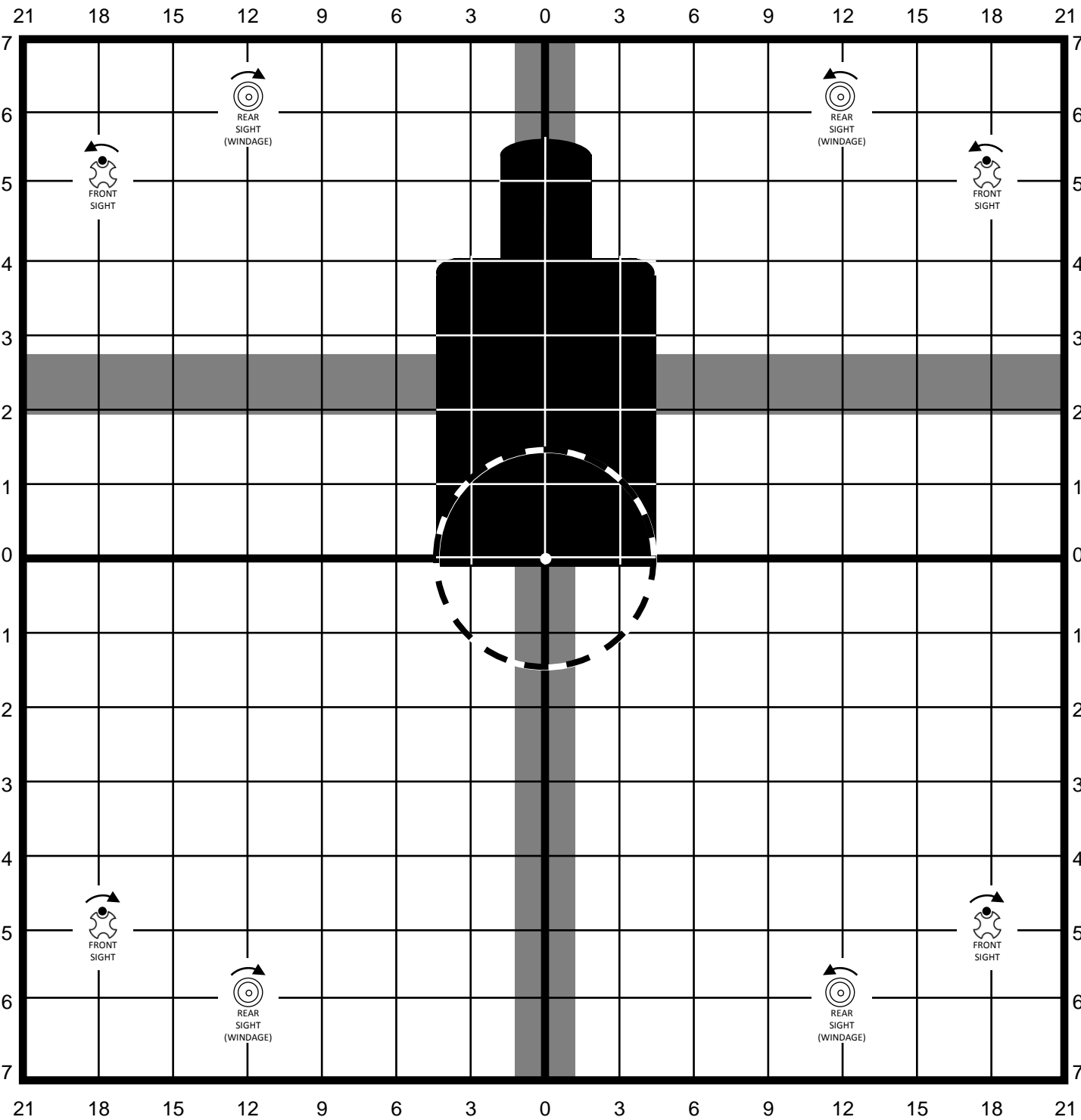


# IMPROVED M4 / AR15 CARBINE 25M ZERO TARGET

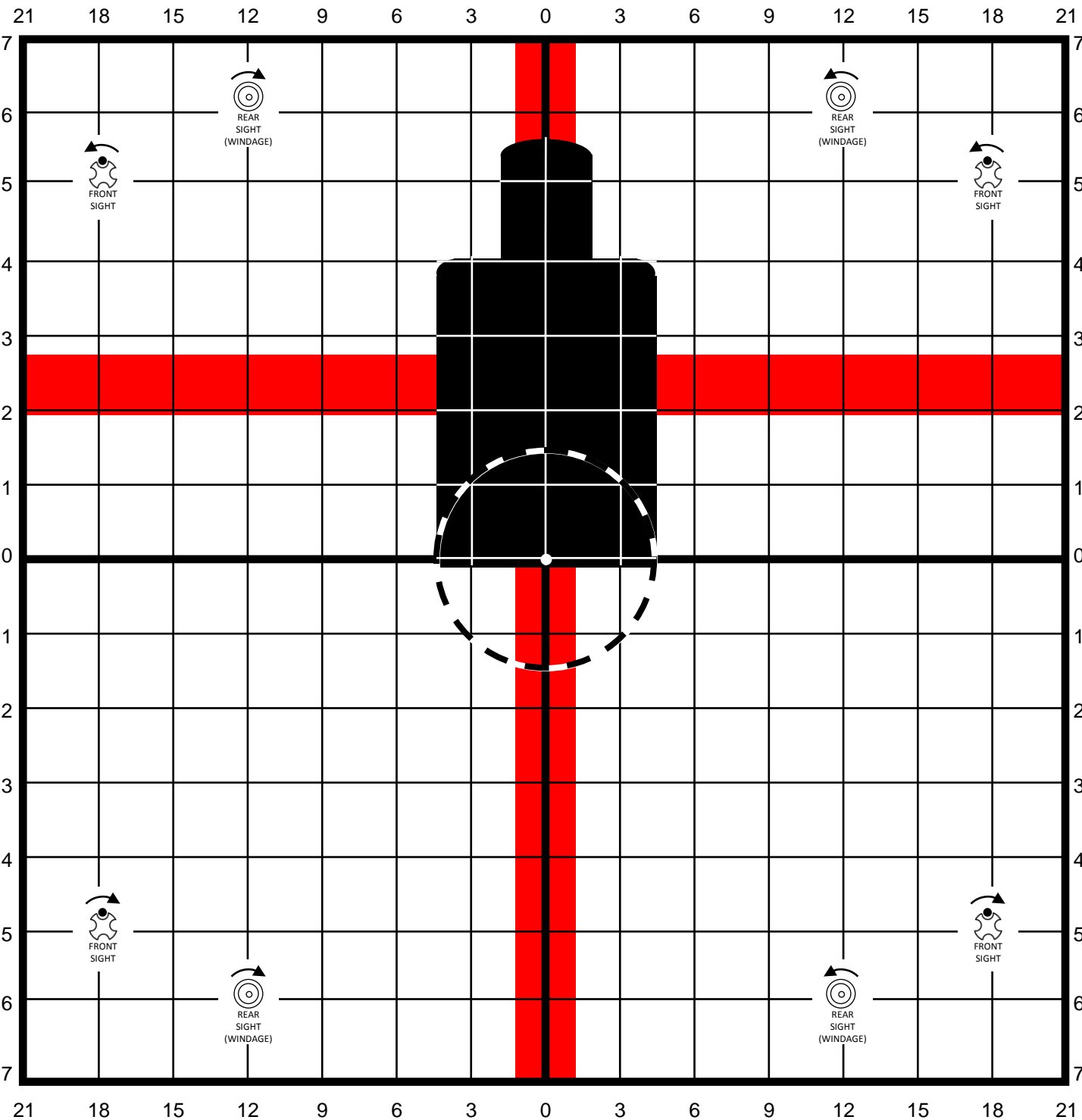
CALIBRATED FOR A 50M ZERO



1. SET REAR SIGHT TO DESIRED ELEVATION SETTING. *FOR RIBZ USERS: (4 CLICKS COUNTER CLOCKWISE OF 6/3 AFTER THE RBIZ ADJUSTMENT HAS BEEN MADE)*
2. AIM CENTER MASS OF SILHOUETTE TARGET USING REFERENCE CROSSHAIRS FOR ASSISTANCE. ADJUST SIGHTS TO BRING BULLET IMPACT AS CLOSE AS POSSIBLE TO CENTER OF CIRCLE.
3. YOU ARE NOW ZEROED FOR 50M.

# IMPROVED M4 / AR15 CARBINE 25M ZERO TARGET

CALIBRATED FOR A 50M ZERO



1. SET REAR SIGHT TO DESIRED ELEVATION SETTING. *FOR RIBZ USERS: (4 CLICKS COUNTER CLOCKWISE OF 6/3 AFTER THE RBIZ ADJUSTMENT HAS BEEN MADE)*
2. AIM CENTER MASS OF SILHOUETTE TARGET USING REFERENCE CROSSHAIRS FOR ASSISTANCE. ADJUST SIGHTS TO BRING BULLET IMPACT AS CLOSE AS POSSIBLE TO CENTER OF CIRCLE.
3. YOU ARE NOW ZEROED FOR 50M.

REVISED IMPROVED BATTLESIGHT ZERO instructions and information can be found here:

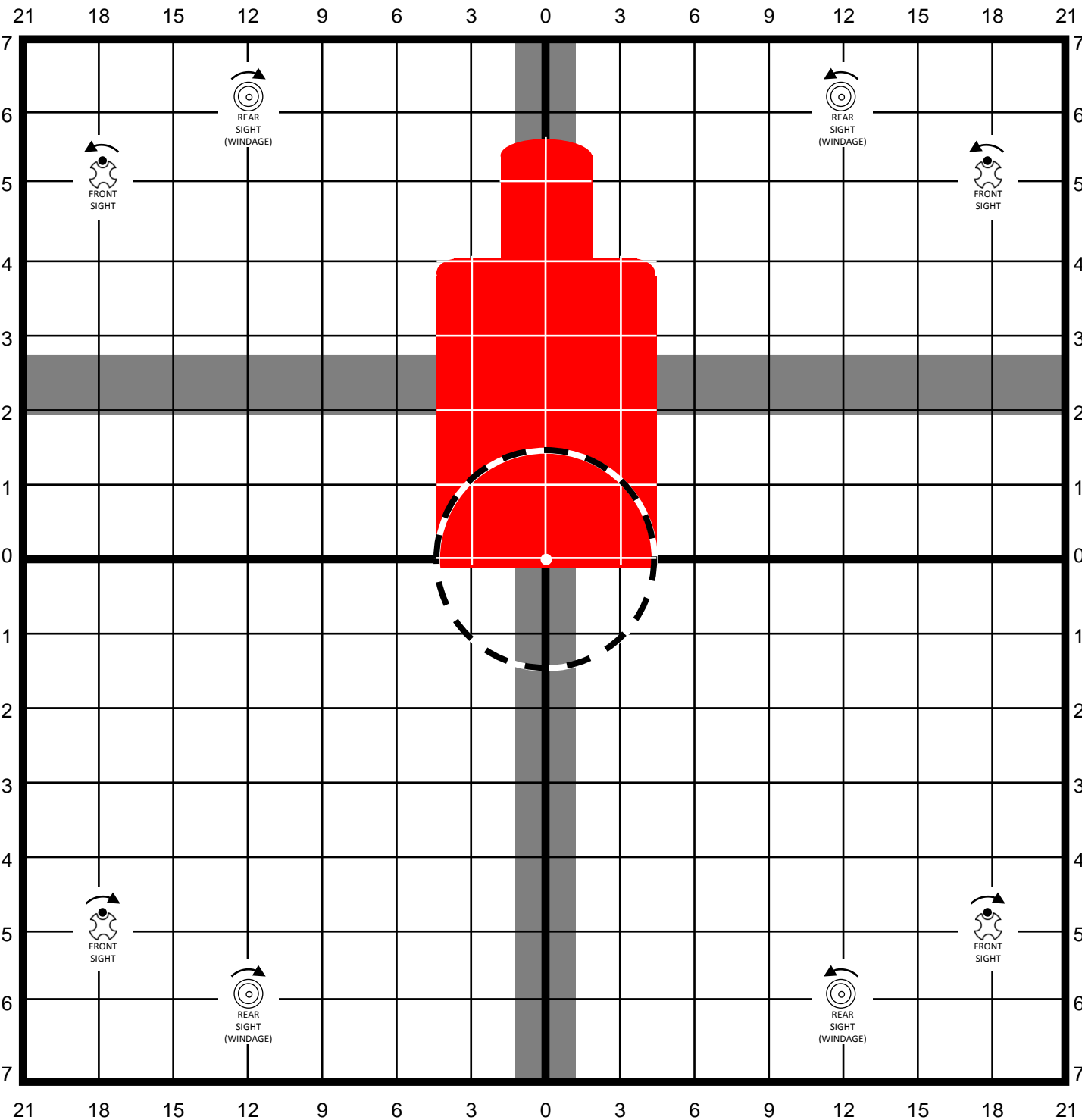
[http://www.ar15.com/forums/t\\_3\\_18/328143\\_.html](http://www.ar15.com/forums/t_3_18/328143_.html)

TARGET BY: JUSTIN COLTER



# IMPROVED M4 / AR15 CARBINE 25M ZERO TARGET

CALIBRATED FOR A 50M ZERO



1. SET REAR SIGHT TO DESIRED ELEVATION SETTING. *FOR RIBZ USERS: (4 CLICKS COUNTER CLOCKWISE OF 6/3 AFTER THE RBIZ ADJUSTMENT HAS BEEN MADE)*
2. AIM CENTER MASS OF SILHOUETTE TARGET USING REFERENCE CROSSHAIRS FOR ASSISTANCE. ADJUST SIGHTS TO BRING BULLET IMPACT AS CLOSE AS POSSIBLE TO CENTER OF CIRCLE.
3. YOU ARE NOW ZEROED FOR 50M.

REVISED IMPROVED BATTLESIGHT ZERO instructions and information can be found here:

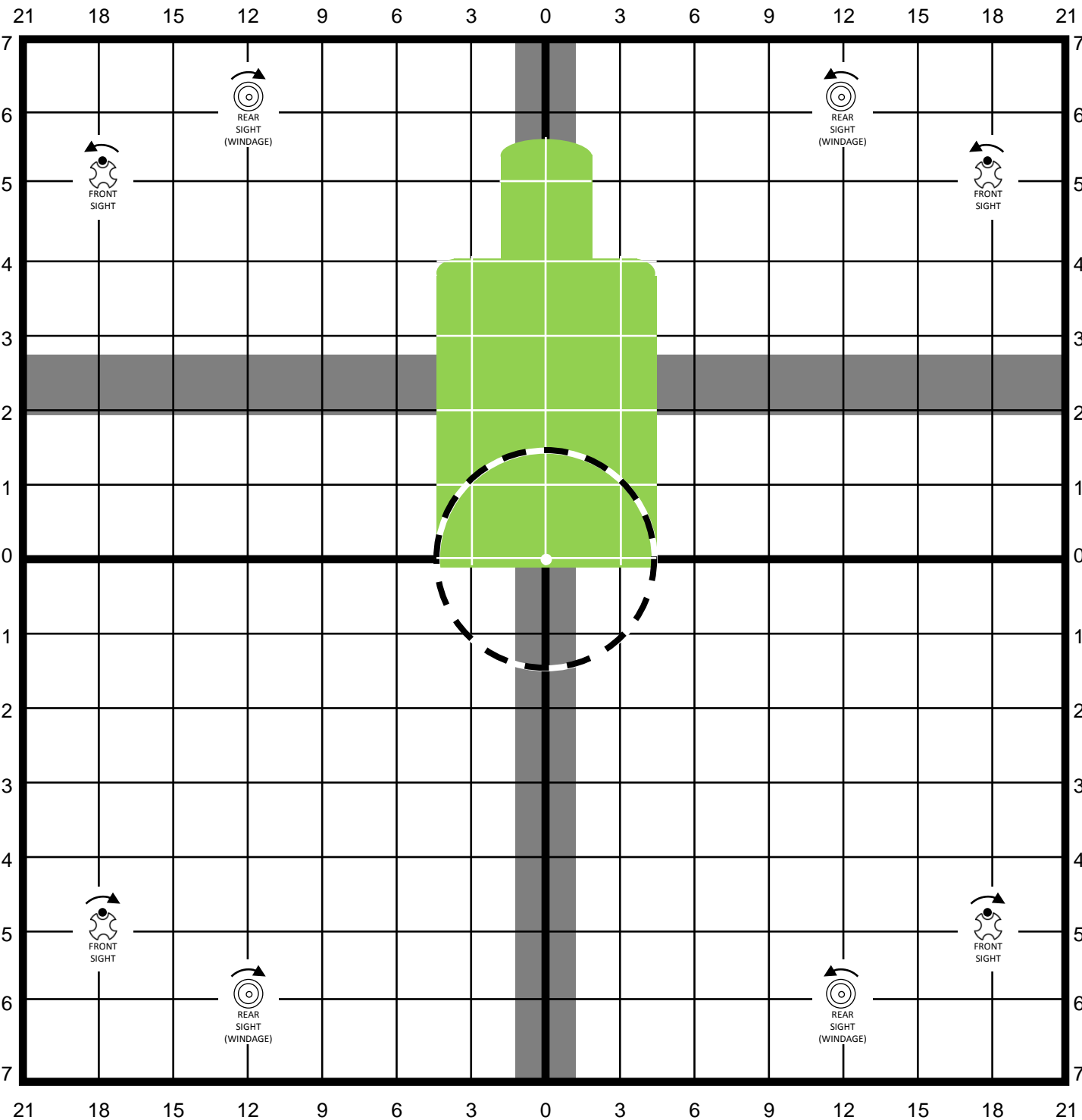
[http://www.ar15.com/forums/t\\_3\\_18/328143\\_.html](http://www.ar15.com/forums/t_3_18/328143_.html)

TARGET BY: JUSTIN COLTER



# IMPROVED M4 / AR15 CARBINE 25M ZERO TARGET

CALIBRATED FOR A 50M ZERO



1. SET REAR SIGHT TO DESIRED ELEVATION SETTING. *FOR RIBZ USERS: (4 CLICKS COUNTER CLOCKWISE OF 6/3 AFTER THE RBIZ ADJUSTMENT HAS BEEN MADE)*
2. AIM CENTER MASS OF SILHOUETTE TARGET USING REFERENCE CROSSHAIRS FOR ASSISTANCE. ADJUST SIGHTS TO BRING BULLET IMPACT AS CLOSE AS POSSIBLE TO CENTER OF CIRCLE.
3. YOU ARE NOW ZEROED FOR 50M.

REVISED IMPROVED BATTLESIGHT ZERO instructions and information can be found here:

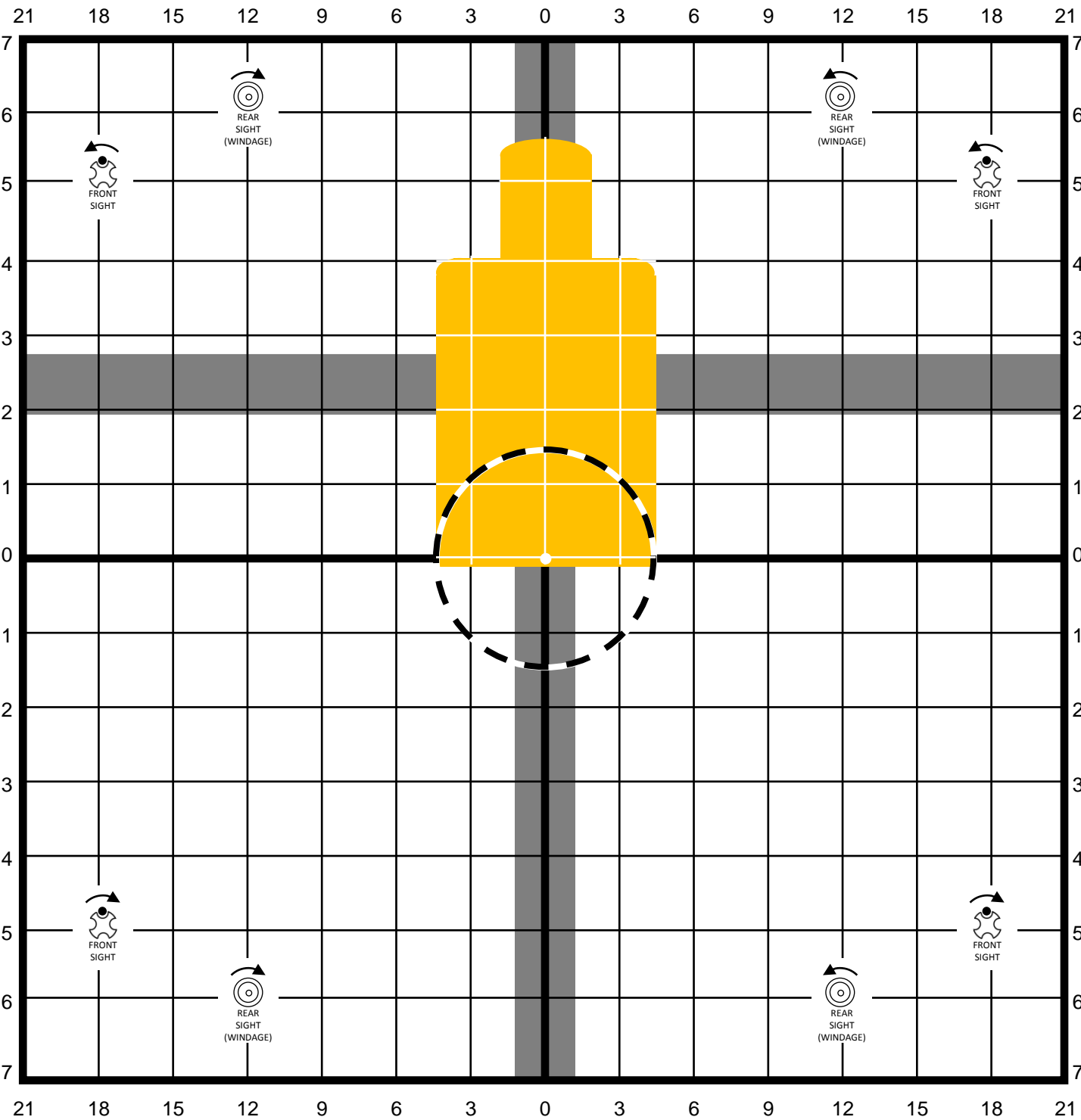
[http://www.ar15.com/forums/t\\_3\\_18/328143\\_.html](http://www.ar15.com/forums/t_3_18/328143_.html)

TARGET BY: JUSTIN COLTER



# IMPROVED M4 / AR15 CARBINE 25M ZERO TARGET

CALIBRATED FOR A 50M ZERO



1. SET REAR SIGHT TO DESIRED ELEVATION SETTING. *FOR RIBZ USERS: (4 CLICKS COUNTER CLOCKWISE OF 6/3 AFTER THE RBIZ ADJUSTMENT HAS BEEN MADE)*
2. AIM CENTER MASS OF SILHOUETTE TARGET USING REFERENCE CROSSHAIRS FOR ASSISTANCE. ADJUST SIGHTS TO BRING BULLET IMPACT AS CLOSE AS POSSIBLE TO CENTER OF CIRCLE.
3. YOU ARE NOW ZEROED FOR 50M.

REVISED IMPROVED BATTLESIGHT ZERO instructions and information can be found here:

[http://www.ar15.com/forums/t\\_3\\_18/328143\\_.html](http://www.ar15.com/forums/t_3_18/328143_.html)

TARGET BY: JUSTIN COLTER

